

300W 3-way Power Splitter (698-3800MHz, -150dBc, IP65)



Tone Spread
Solutions for Wireless Signal

Telecommunication Technology & Engineering Accessories

Rev.V1.0

General Description

300W 3-way Power Splitter (698-3800MHz, -150dBc, IP65)

Features & Benefits

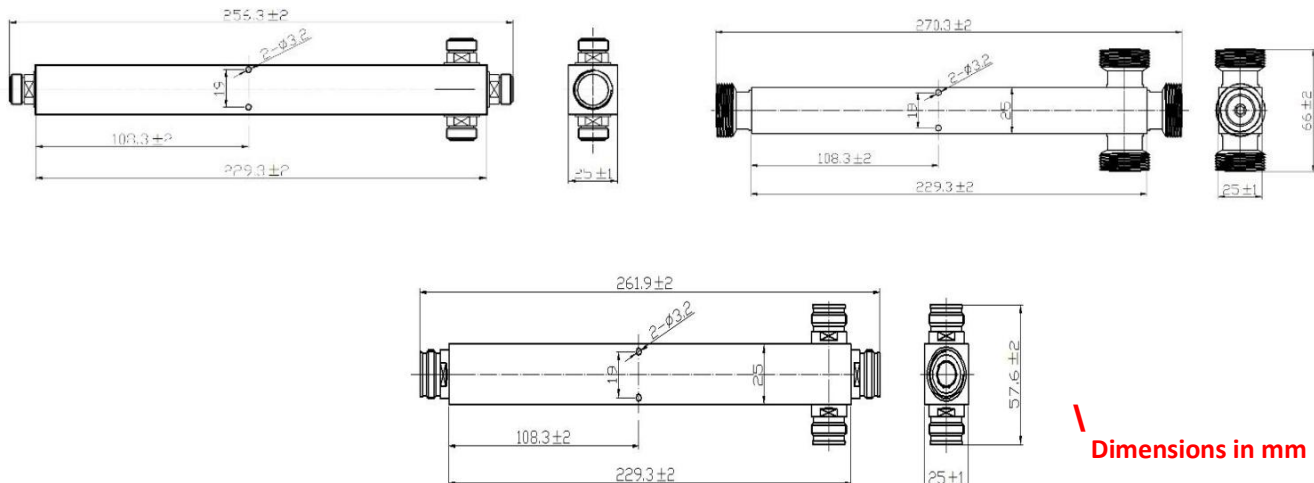
- Guaranteed PIM Compliance
- Wide Frequency Band Covering 698-3800MHz
- Low Insertion Loss
- Low VSWR
- Indoor/Outdoor Using IP65
- Available with Type N, 7/16DIN or 4.3/10 Connectors



Electrical & Mechanical Specifications

| | |
|---------------------------|---|
| Model No. | TS-3PS-638-150-NF TS-3PS-638-150-DF TS-3PS-638-150-4F |
| Split Chanel | 3-way |
| Split Loss(dB) | 4.8 |
| Insertion Loss(dB) | ≤0.6 |
| Freq(MHz) | 698-3800MHz |
| VSWR | ≤1.30 |
| PIM Rating(dBc) | -150dBc@2x43dBm(698-2700MHz) |
| Power Rating(W) | 300W (average Per Port) |
| Impedance | 50 ohm |
| Connector | N/DIN/4.3-10 -female |
| Color | Black |
| Operating Temperature(°C) | -30~+65 |
| Weight(kg) | 0.54 |

Mechanical Drawing



Dimensions in mm